

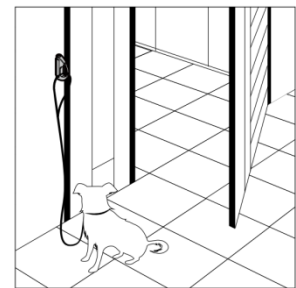
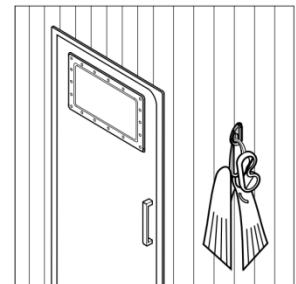
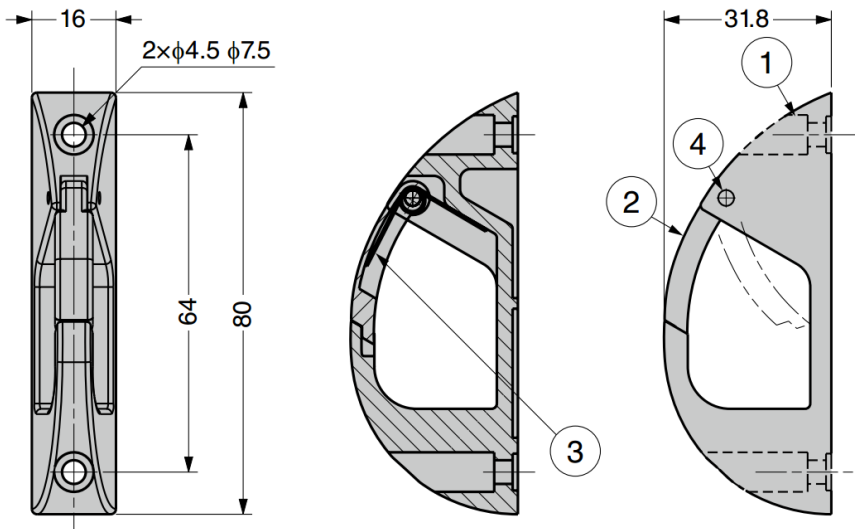
GEN-R80 Stainless Steel 316 Latch Hook

Features

- Hook is spring loaded to retract, preventing hooked items from falling off
- Suitable for exterior use
- Slim design suitable for installation to door or window frame
- Chain or rope up to $\varnothing 10$ in diameter can be hung

Parts Included

- Pan head tapping screw 4x25



No.	Part Name	Material	Finish
①	Body	Stainless Steel (SCS14)	Polished
②	Arm		
③	Spring	Stainless Steel (SUS316)	Plain
④	Shaft		

※SCS14 is equivalent of SUS316.

Part No.	Applicable Rope Diameter	Load Capacity	
GEN-R80	Max. $\varnothing 10$	196 N	20 kg